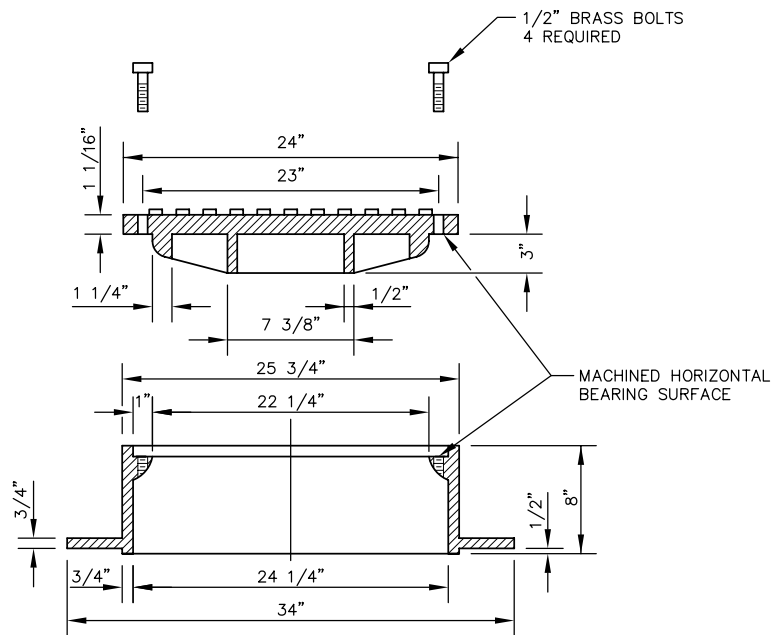


PLAN



SECTION A-A

NOTE:

1. CASTING SPECIFICATIONS: ASTM A-48 WITH A MINIMUM TENSILE STRENGTH OF 25 KSI (CLASS 25)
2. ALL CASTINGS TO BE DIPPED IN ASPHALT BASE PAINT (OR APPROVED EQUAL)
3. CASTINGS SHALL BE AS SPECIFIED BELOW OR EQUAL: (CAST IRON ONLY)
4. COVER SHALL HAVE SELF CENTERING BOLT HOLES.

MANUFACTURERS	CAT. #
J MARK CORP.	C-1161

No_XREFS
I:\Key_Std\SAS\Details\dwg\Sasd-PUB-9s.dwg

Kennedy/Jenks Consultants
Engineers & Scientists

143 Union Boulevard
Suite 600
Lakewood, CO 80226
303 985 3636 TEL
303 985 3800 FAX



SOUTH ARAPAHOE
SANITATION DISTRICT
www.southarapahoe.org

**24" RING & BOLT
DOWN COVER
DETAIL**

DRAWING NO.: SASD-PUB-9S DATE: 5/08