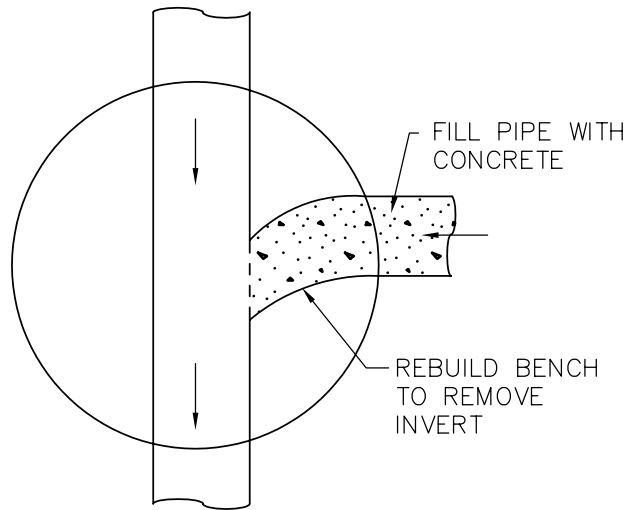
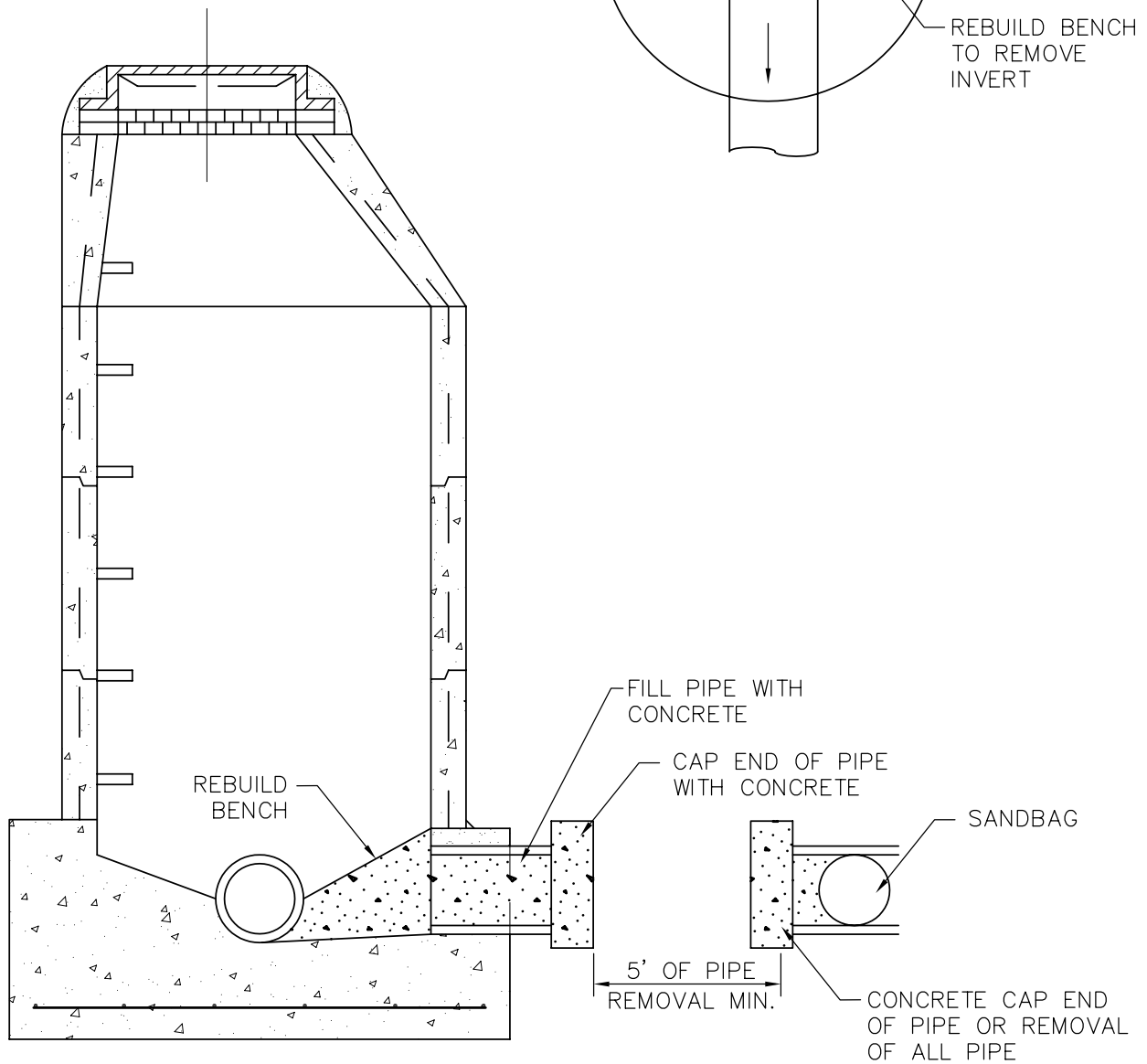


TOP VIEW



SIDE VIEW



No XREFs
I: \Key_Std\SAS\Details\dwg\Sasd-PUB-22s.dwg

Kennedy/Jenks Consultants

Engineers & Scientists

143 Union Boulevard
Suite 600
Lakewood, CO 80226
303 985 3636 TEL
303 985 3600 FAX



SOUTH ARAPAHOE
SANITATION DISTRICT

www.southarapahoe.org

**PIPE ABANDONMENT
INTO MANHOLE DETAIL**

DRAWING NO.: SASD-PUB-22S DATE: 5/08