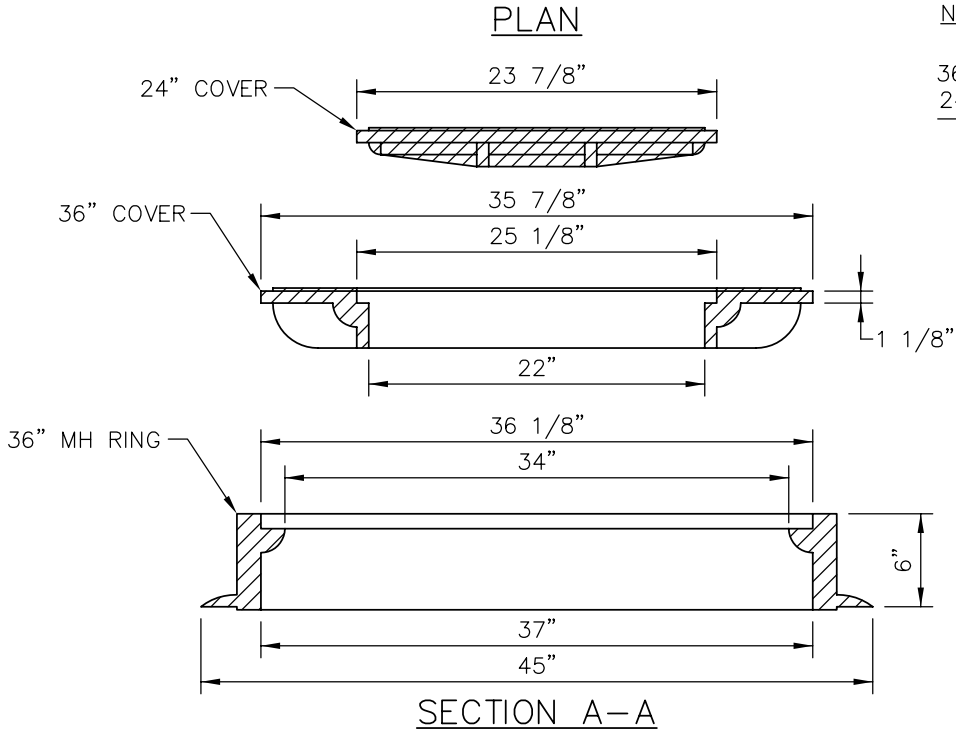


NOMINAL WEIGHT

RING	=280#
36" COVER	=250#
24" COVER	=165#
TOTAL	=695#



- NOTES:**
- CASTING SPECIFICATIONS: ASTM A-48 WITH A MINIMUM TENSILE STRENGTH OF 25 KSI (CLASS 25).
 - ALL CASTINGS TO BE DIPPED IN ASPHALT BASED PAINT (OR APPROVED EQUAL).
 - CASTINGS SHALL BE AS SPECIFIED BELOW OR EQUAL:

MANUFACTURERS	CAT. NO.
NEEHAH FOUNDRY CO.	R-1740-D2
CONSTRUCTION CASTINGS	J-1425 (SHOWN)

No XREFs i:\Key_Std\SAS\Details\dwg\Sasd-PUB-11s.dwg

Kennedy/Jenks Consultants
Engineers & Scientists
 143 Union Boulevard
 Suite 800
 Lakewood, CO 80228
 303 985 3636 TEL
 303 985 3800 FAX

SOUTH ARAPAHOE
SANITATION DISTRICT
www.southarapahoe.org

**DOUBLE MANHOLE
 COVER DETAIL**