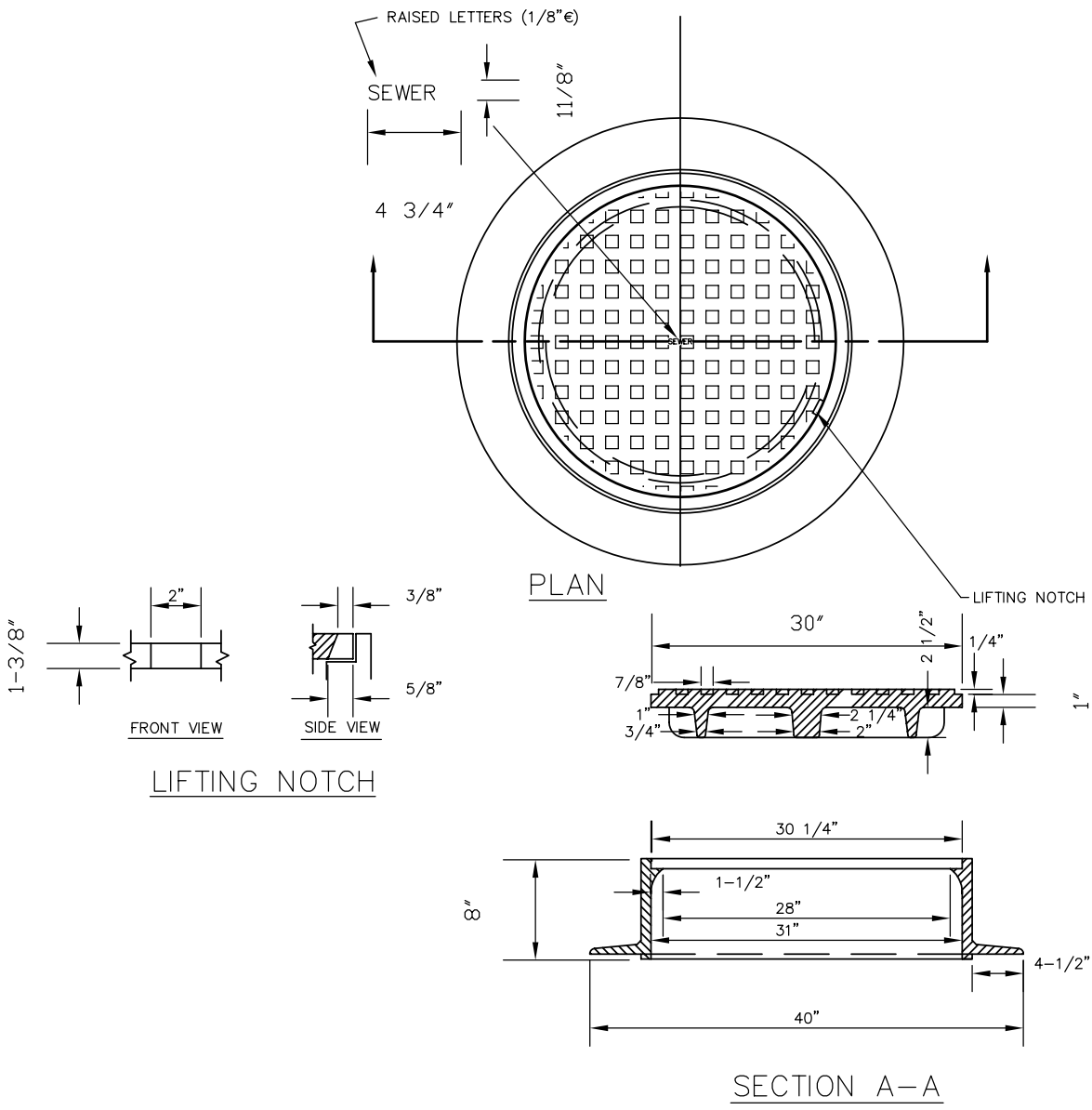


No_XREFs
 I:\Key_Std\SAS\Details\dwg\Sasd-PUB-10s.dwg



NOTE:

1. CASTING SPECIFICATIONS: ASTM A-48 WITH A MINIMUM TENSILE STRENGTH OF 25 KSI (CLASS 25)
2. ALL CASTINGS TO BE DIPPED IN ASPHALT BASE PAINT (OR APPROVED EQUAL)
3. ALL BEARING SURFACES TO BE MACHINED.
4. LETTERING ON COVER AS REQUIRED (WATER,SEWER)
5. TOTAL MINIMUM WT. APPROX. 630 LBS.
6. COMCO CAT #C1360 OR EQUAL
7. LIFTING NOTCH SHALL NOT EXTEND PAST INSIDE FACE OF RING.

Kennedy/Jenks Consultants
 Engineers & Scientists
 143 Union Boulevard
 Suite 600
 Lakewood, CO 80228
 303 985 3638 TEL.
 303 985 3800 FAX

SOUTH ARAPAHOE
 SANITATION DISTRICT
 www.southarapahoe.org

**30" MANHOLE
 RING & COVER
 DETAIL**