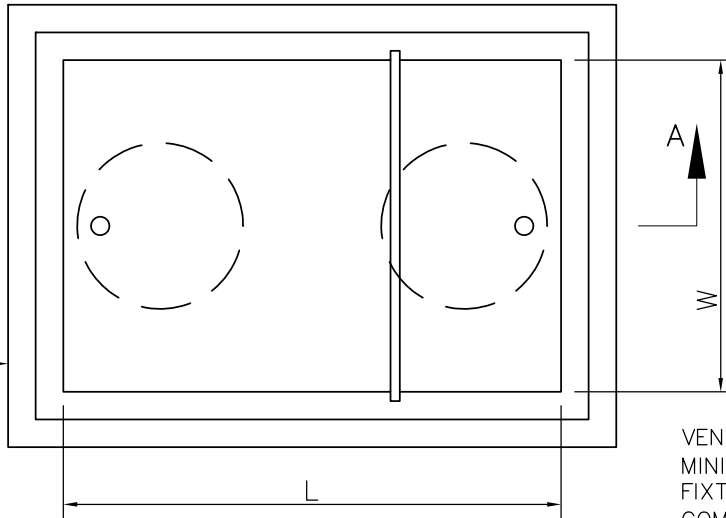


NOTE: MINIMUM VOLUME OF 500 GALLONS

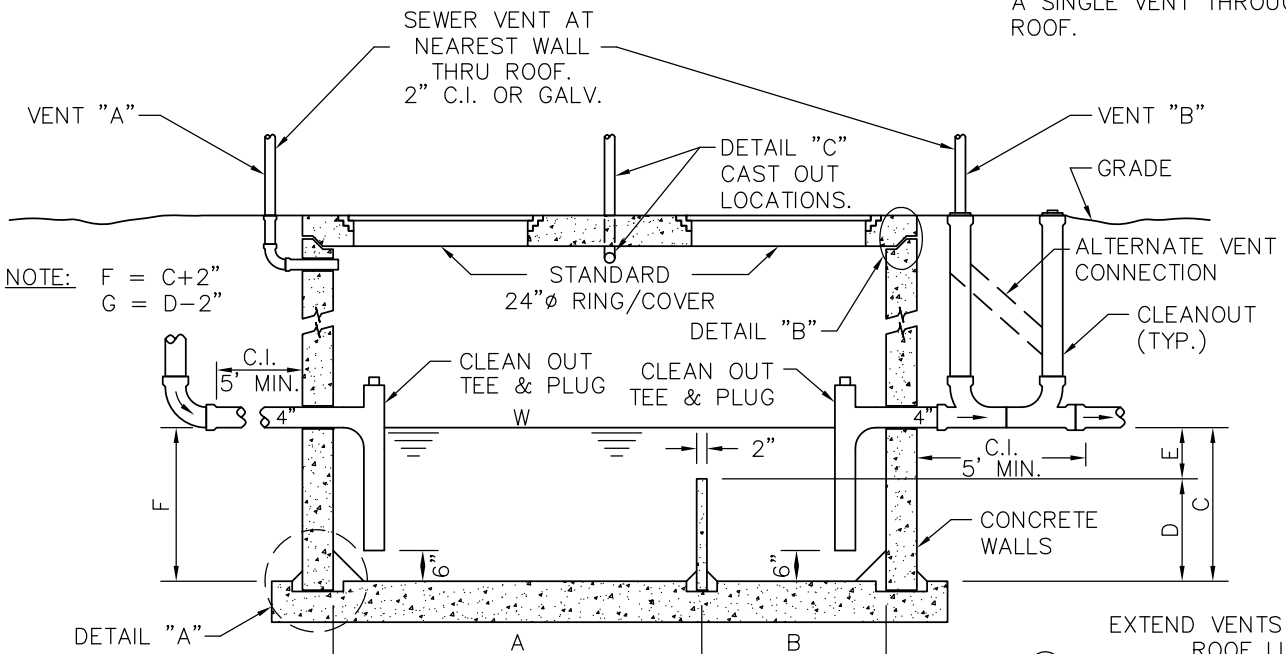
PLUMBING PER CITY/COUNTY REQUIREMENTS

5' MIN. FROM BLDG.



PLAN

VENT "A" MAY RISE A MINIMUM OF 42" ABOVE FIXTURE FLOOD LINE AND MAY COMBINE WITH VENT "B" ABOVE THE 42" LINE TO FORM A SINGLE VENT THROUGH THE ROOF.



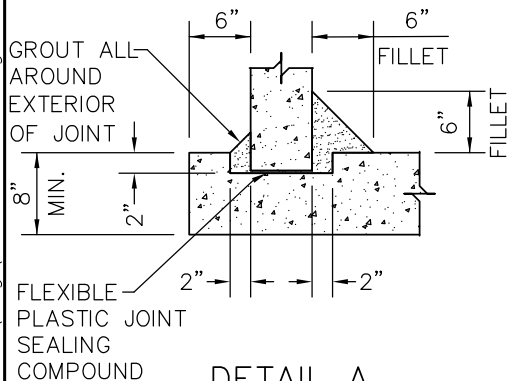
SECTION "A-A"

NOTE: F = C+2"
G = D-2"

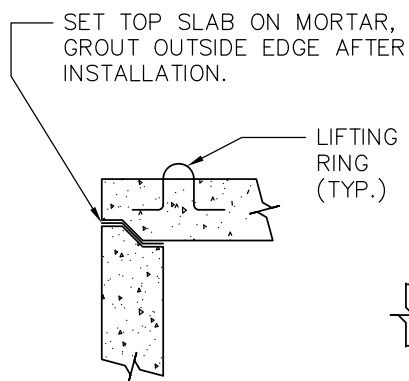
EXTEND VENTS ABOVE ROOF LINE PER UNIFORM PLUMBING CODE

9

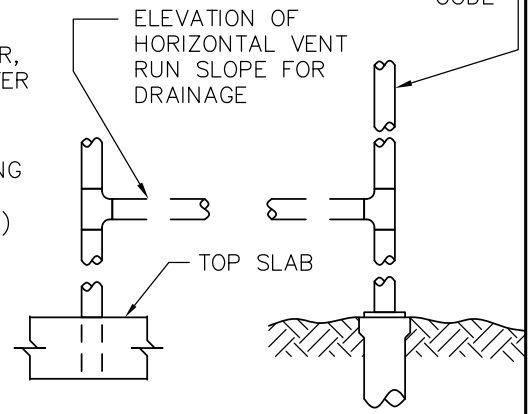
ELEVATION OF HORIZONTAL VENT RUN SLOPE FOR DRAINAGE



DETAIL A



DETAIL B



DETAIL C

No XREFs i:\Key_Std\SAS\Details\dwg\Sasd-PRI-8s.dwg

Kennedy/Jenks Consultants
Engineers & Scientists
143 Union Boulevard
Suite 600
Lakewood, CO 80228
303 985 3636 TEL
303 985 3800 FAX

SOUTH ARAPAHOE
SANITATION DISTRICT
www.southarapahoe.org

SAND & OIL INTERCEPTOR