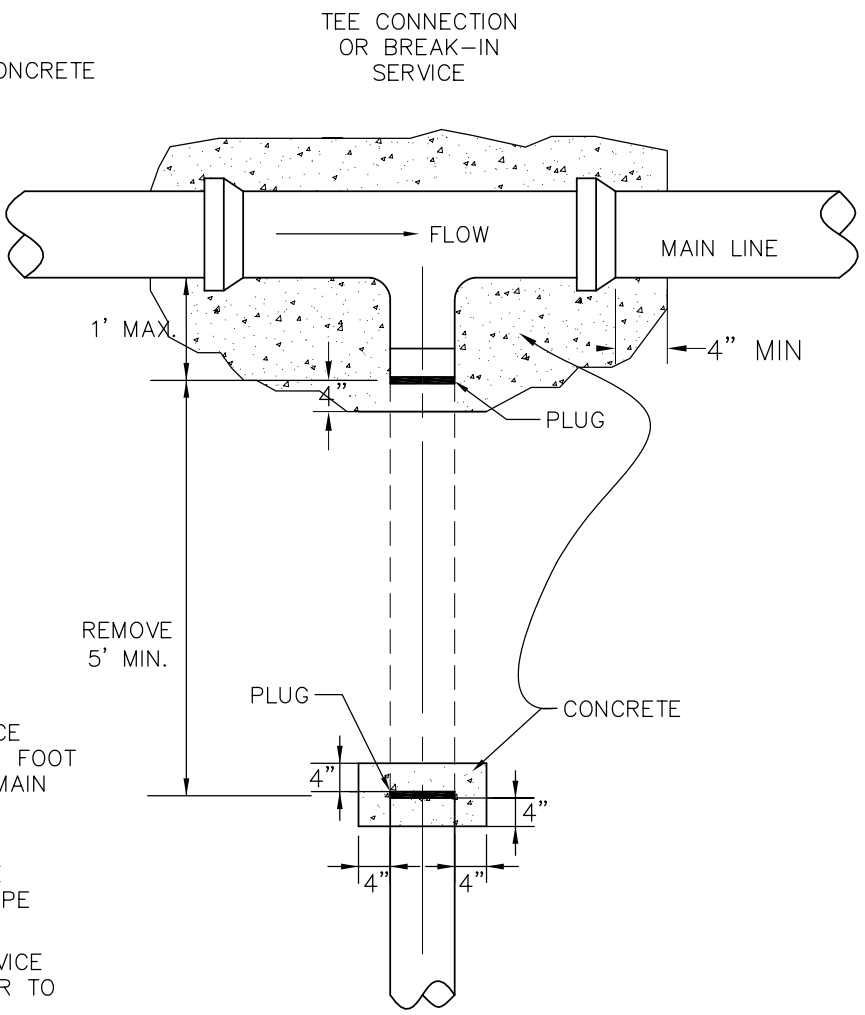
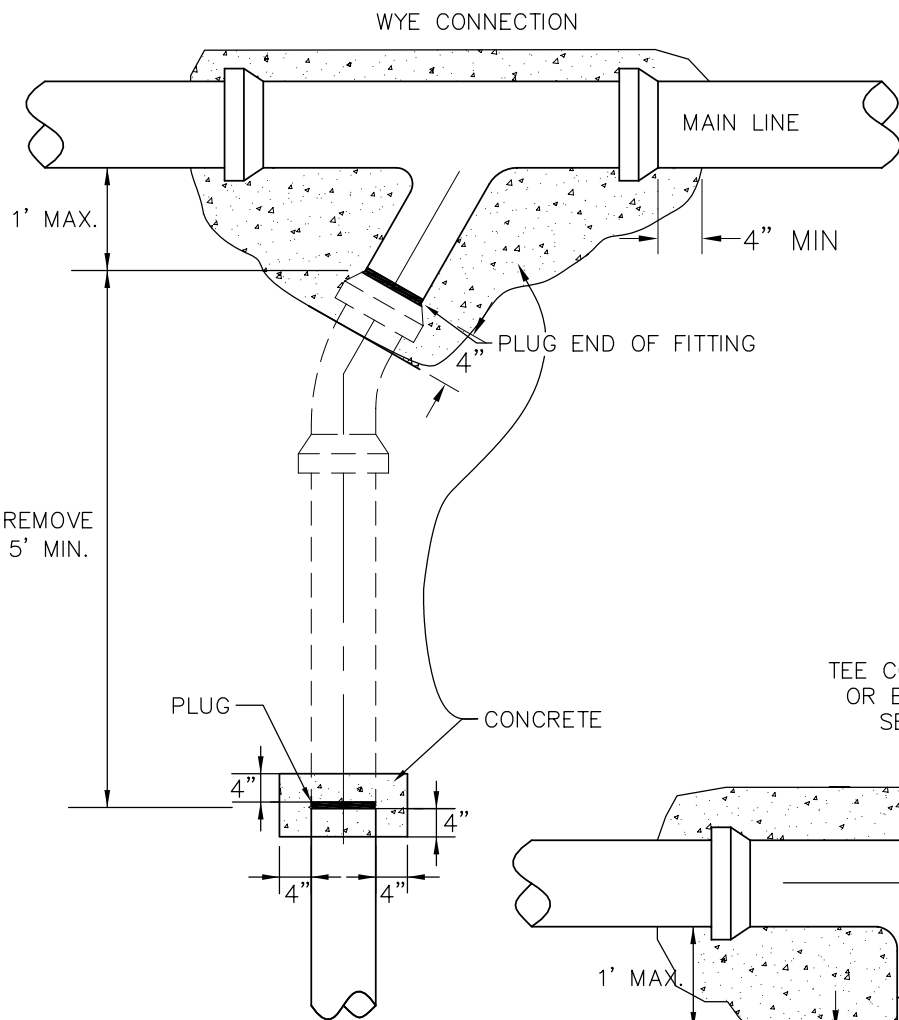


No. XREFs  
 I: \\Key\_Std\SAS\Details\dwg\Sasd-PRI-11s.dwg



**GENERAL NOTES:**

1. REMOVE MINIMUM 5 FEET OF SERVICE PIPE. FIELD CUT SERVICE PIPE AT 1 FOOT MAXIMUM FROM OUTSIDE EDGE OF MAIN LINE.
2. INSTALL PLUGS AT CUT SERVICE CONNECTIONS AND POUR CONCRETE COLLAR 4 INCHES EACH SIDE OF PIPE END, MINIMUM 4 INCHES THICK.
3. POUR CONCRETE AROUND CUT SERVICE CONNECTION AND CONCRETE COLLAR TO SUPPORT WEIGHT.

**Kennedy/Jenks Consultants**  
 Engineers & Scientists  
 143 Union Boulevard  
 Suite 600  
 Lakewood, CO 80226  
 303 985 3636 TEL.  
 303 985 3800 FAX



**SOUTH ARAPAHOE**  
 SANITATION DISTRICT  
 www.southarapahoe.org

**SERVICE LINE  
 ABANDONMENT  
 DETAIL**